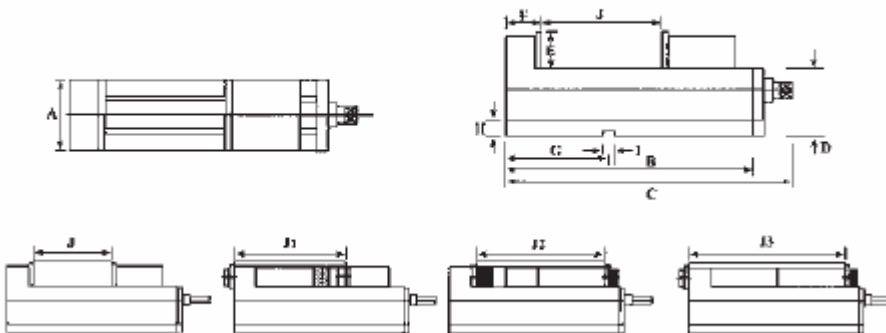


E.W.Equipment—Type Mc FIX Vices

NC High-Power machine vice.



- Steel body, all surfaces ground
- Three clamping positions: horizontal, vertical, lateral
- With patented “anti-lifting” mechanism
- Mechanical force increase, no seals required, maintenance-free
- Force increase mechanism may be deactivated for “sensitive” work pieces
- Clamping power display
- Telescope spindle cover
- Incl. ratched (german brand) and clamping brackets



Typ MC/ type MC	A mm	B mm	C mm	D mm	E mm	F mm	G mm	I mm	J mm	J1 mm	J2 mm	J3 mm	Spannkraft/ Clamping force daN	Gewicht/ Weight kg	Art.-Nr./Order no 14
100 HV	100	400	530	85	45	80	110	18	150	230	260	340	4.000	32	• -MC100
130 HV	130	450	580	95	52	85	135	18	200	285	320	405	4.500	45	• -MC130
160 HV	160	550	680	100	62	103	200	18	280	380	400	500	5.000	63	• -MC160
200 HV	200	600	730	110	62	108	220	18	300	438	470	578	5.000	92	• -MC200

Accessories for type Mc FIX



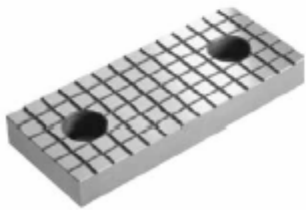
Prismenbacken Prism jaws

Große / Size	Art.-Nr./Order no 14
100	<input type="checkbox"/> -CJ-100
130	<input type="checkbox"/> -CJ-130
160	<input type="checkbox"/> -CJ-160
200	<input type="checkbox"/> -CJ-200



Tiefziehbacken Pull-down jaws

Große / Size	Art.-Nr./Order no 14
100	<input type="checkbox"/> -DJ-100
130	<input type="checkbox"/> -DJ-130
160	<input type="checkbox"/> -DJ-160
200	<input type="checkbox"/> -DJ-200



Riffelbacken Grooved jaws

Große / Size	Art.-Nr./Order no 14
100	<input type="checkbox"/> -RJ-100
130	<input type="checkbox"/> -RJ-130
160	<input type="checkbox"/> -RJ-160
200	<input type="checkbox"/> -RJ-200



Stufenbacken Stepped jaws

Große / Size	Art.-Nr./Order no 14
100	<input type="checkbox"/> -SJ-100
130	<input type="checkbox"/> -SJ-130
160	<input type="checkbox"/> -SJ-160
200	<input type="checkbox"/> -SJ-200



Glatte Backen Standard jaws

Große / Size	Art.-Nr./Order no 14
100	<input type="checkbox"/> -PJ-100
130	<input type="checkbox"/> -PJ-130
160	<input type="checkbox"/> -PJ-160
200	<input type="checkbox"/> -PJ-200

- Lagerstandard / in stock
- Innerhalb weniger Tage / within a few days
- auf Anfrage / on request